

ELECTROMECHANICAL IN-POST OPERATOR FOR SWING GATES **MAGIC**

EN TESTED _230Vac_Encoder



For Swing Gates up to 3,5 meters per leaf.

- _ Operator concealed inside the Gate hinge Post. (box section 100x100x4mm).
- _ Smart.!Self learning of the open/close travel and slow down distances
- _ Safety.!Obstacle detection.
- _ Hermetic.!Installation sealed.
- _ Appearance.!Once correctly installed there is no visual sign of the mechanism.
- _ Easy to install.
- _ Unlimited opening angle.

MAGIC KITS

MAGIC 1

_Kit for a double leaf Gate

Operator MAS210F (2 pcs.)
Control panel AEP20PIL (1 pc.)
Brackets set AMA02 (2 pcs.)
Pair of photocells LECP (1 pc.)
Receiver RTPSH250 (1 pc.)
Trasmitter SOL2 (2 pcs.)

* Kit example. Other kit combination on request



_Other accesories

Keypads, electric locks, flashing lamps, safety edges, magnetic loop detectors, traffic lights,...

KIT MAGIC 1

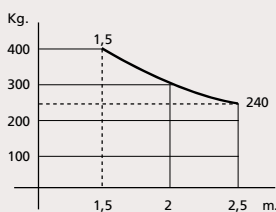


TECHNICAL DATA

	MAS210	MAS210F	MAS251	MAS250F
Motor power supply	230Vac/50Hz			
Absorbed current	1 A	1 A	1,3 A	1,3 A
Absorbed power	230 W	230 W	300 W	300 W
Capacitor	5µF	5µF	8 µF	8 µF
Torque	220 Nm	220 Nm	450 Nm	450 Nm
Protection class	IP54			
Duty Cycles	20 cycles / hour		25 cycles / hour	20 cycles / hour
Opening time (90°)	12 sec			
Max.opening angle	180°			
Safety	Encoder			
Operating temperature	-20° + 70°			
Operator weight	13 kg			15 kg
Self-locking:	No	In opening and closing	No	In opening and closing
Manual release:	Electric lock	Cylinder key	Electric lock	Cylinder key

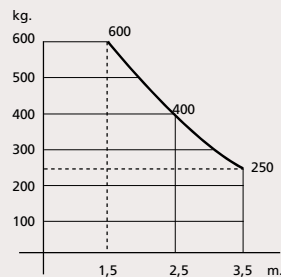
USE LIMITATION

Max. Gate leaf weight (kg)

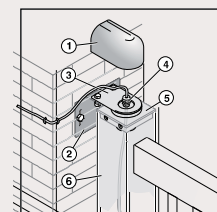
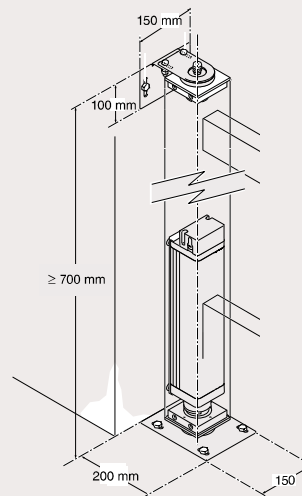


Max. Gate leaf length (m)

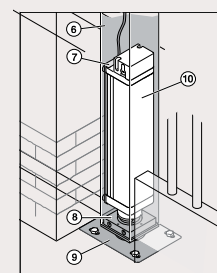
MAS210, MAS210F



MAS251, MAS250F



1. Plastic cable cover
2. Wall fixing plate
3. Adjustable top hinge
4. Gland
5. Top post plate
6. Iron profile 100x100x4mm



7. Spacer plate (iron profile)
8. Bottom post plate
9. Base plate with bottom hinge
10. Operator MAGIC

Orientative values

The shape, the height of the Gate and windy conditions can considerable reduce the values shown in the chart.

With none locking operators MAS210, MAS251 is indispensable to fit an electric lock.

With self locking operator MAS210F is indispensable to fit an electric lock for Gate leaves longer than 1,8 m.

With self locking operator MAS250F is indispensable to fit an electric lock for Gate leaves longer than 2,5 m.